



LIFE SAFETY &amp; INCIDENT MANAGEMENT

# TCP/IP to RS-232 interface

## MN-COM1S



### Overview

The MN-COM1S is a TCP/IP to RS-232 interface with one RJ-45 port and one RS-232 port. It is used in mass notification settings to connect a FireWorks workstation to an EST3 control panel.

The MN-COM1S mounts on an MN-BRKT1F or an MN-BRKT3F bracket. These install inside the EST3 control panel or Auxiliary Power Supply for a neat and self-contained mass notification solution.

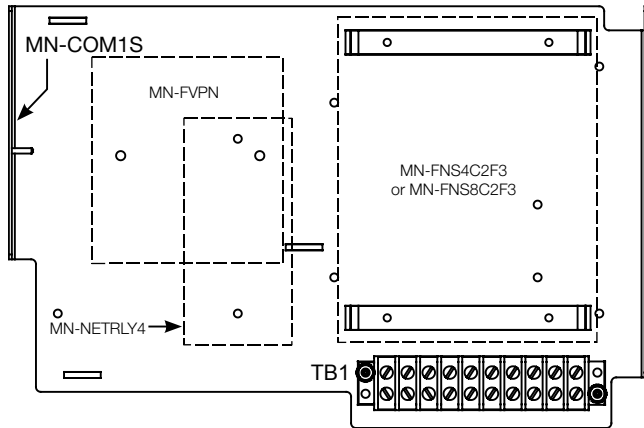
### Standard Features

- Connect a FireWorks workstation to an EST3 control panel.
- RS-232 Serial port for connection to 3-CPU3
- One RJ-45 port
- One RS-232 port
- Browser-based setup and configuration

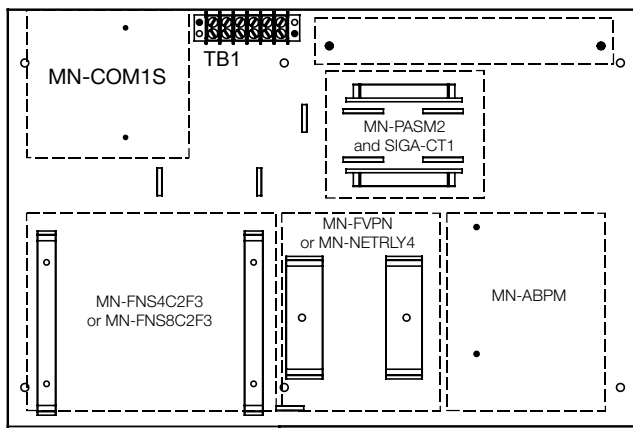
## Mounting

The MN-COM1S mounts on an MN-BRKT1F or an MN-BRKT3F bracket. These install inside the EST3 control panel or Auxiliary Power Supply for a neat and self-contained mass notification solution.

### MN-BRKT3F

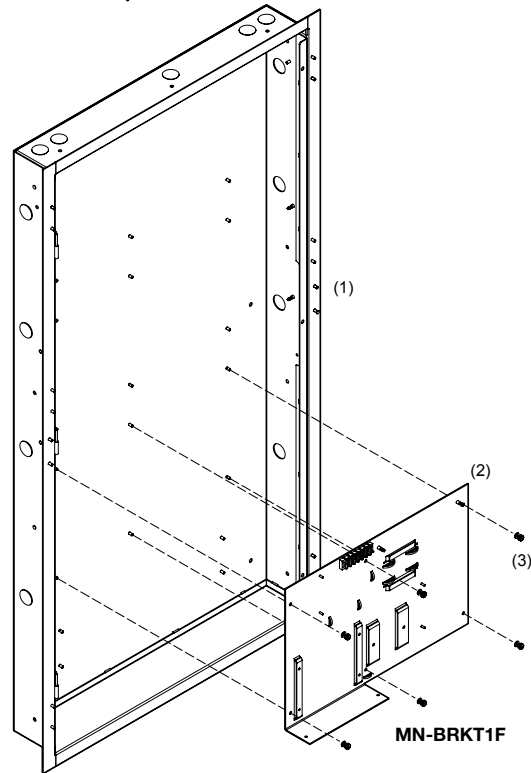
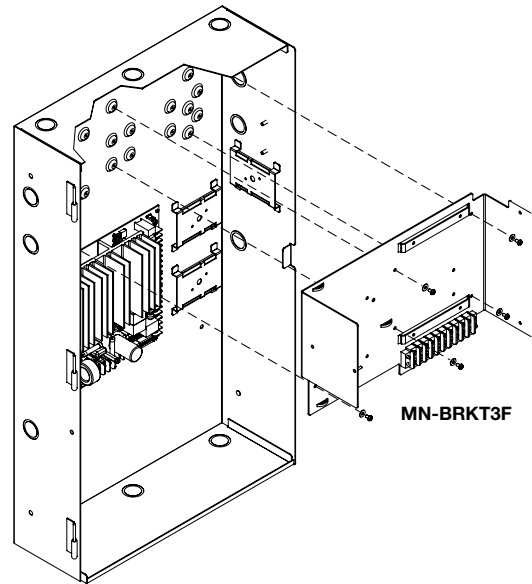


### MN-BRKT1F



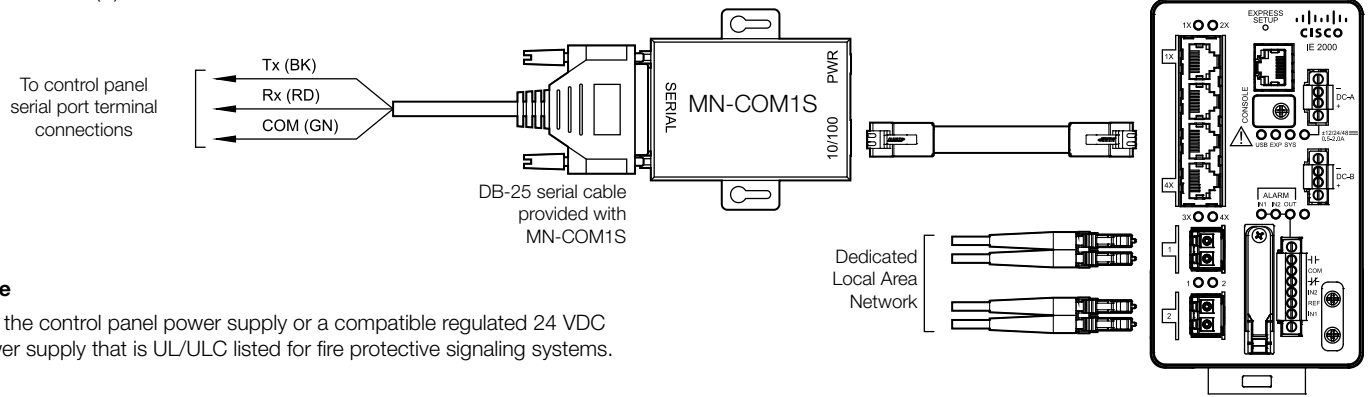
## Component Layout

### Compatible Control Panel



# Wiring

## Typical EST3(X) Connection



### Note

Use the control panel power supply or a compatible regulated 24 VDC power supply that is UL/ULC listed for fire protective signaling systems.

### FCC compliance

This equipment has been tested and found to comply with the limits for a Class A digital device, pursuant to part 15 of the FCC Rules. These limits are designed to provide reasonable protection against harmful interference when the equipment is operated in a commercial environment. This equipment generates, uses, and can radiate radio frequency energy and, if not installed and used in accordance with the instruction manual, may cause harmful interference to radio communications. Operation of this equipment in a residential area is likely to cause harmful interference in which case the user will be required to correct the interference at his own expense.

# Specifications

Voltage	18 to 28 VDC
Current	60 mA
Dimensions	(W x H x D) 2.5 x 0.9 x 3.5 in. (6.4 x 2.3 x 9.0 cm)
Serial interface	RS-232C
Network Interface	
Connector	RJ-45
Cable type	Category 5, min.
Other	10/100 Mbps, TCP/IP, autonegotiating
Operating environment	
Temperature	32 to 120°F (0 to 49°C)
Humidity	0 to 93% RH, noncondensing at 90°F (32°C)

# Ordering Information

MN-COM1S	UL 864 Listed FireWorks Communications Ethernet Port, Command & Control. Comes with power and RS232 data cables.
----------	--

### Related Equipment

MN-BRKT1F	MN-FVP mounting bracket for EST3 enclosures
MN-BRKT3F	MN-FVP mounting bracket for APS-(6)(10)A power supplies
FW-NCCA4	Ethernet cable conduit connector assembly for UL4 computer
MN-FVPN	Fire VoIP encoder/decoder, includes power and audio cables
MN-PASM2	MN-FVPN preamp signal supervisory booster module (one required per MN-FVPN, along with SIGA-RM1 or SIGA-MRM1).
SIGA -RM1/MRM1	Riser Supervision Module
MN-ABPM	Audio Bridge (Panel mount 3-ATPINT)



LIFE SAFETY & INCIDENT MANAGEMENT

**Contact us**

Phone: 800-655-4497 (Option 4)

Email: [edwards.fire@carrier.com](mailto:edwards.fire@carrier.com)

Website: [edwardsfiresafety.com](http://edwardsfiresafety.com)

8985 Town Center Pkwy  
Bradenton, FL 34202

© 2020 Carrier  
All rights reserved.

---